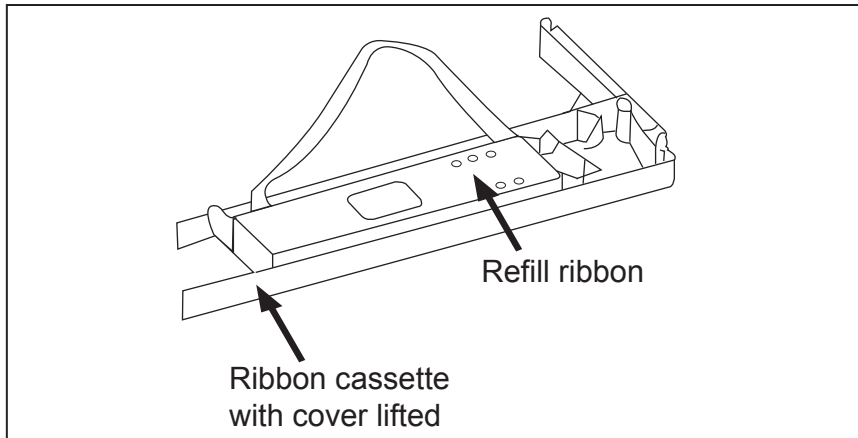


Nylon Refilling Instructions

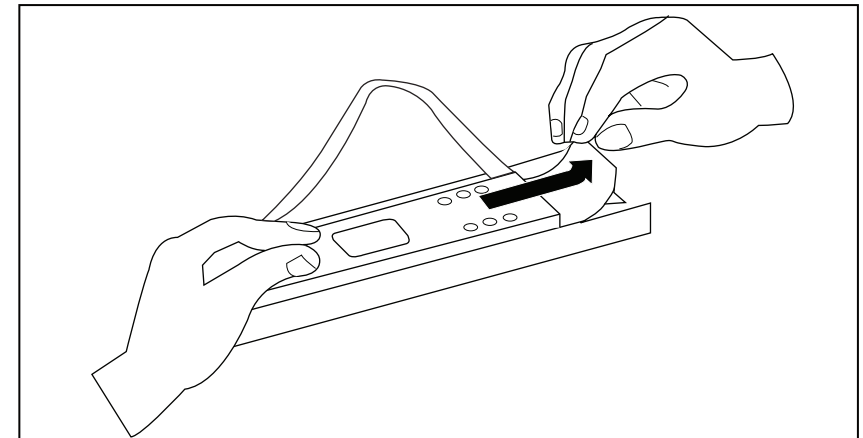
Nylon Refill For Epson MX80/ MX100/ LQ800/ LQ1000 and its compatibles

1



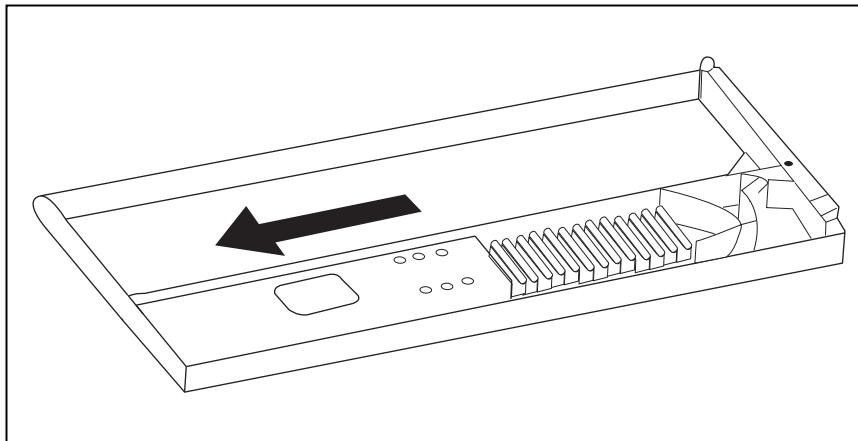
- Ⓐ Open the cassette and remove used ribbon.
- Ⓑ Place the refill ribbon on the cassette as shown.

2



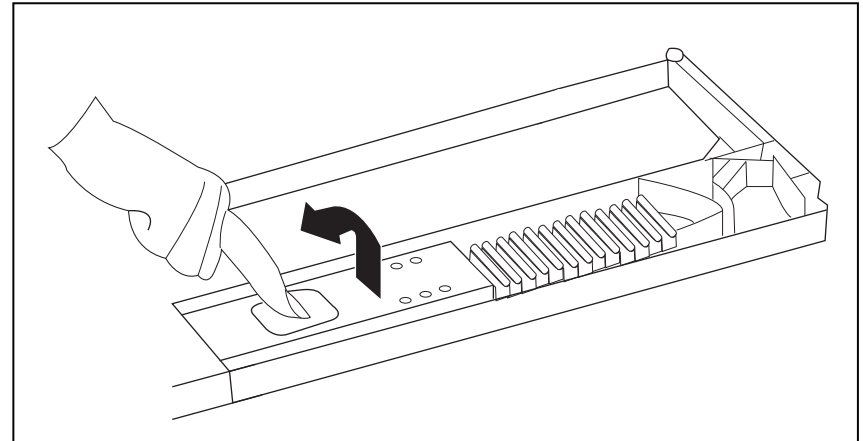
- Ⓐ Pull out the ribbon on top of the fanfold and reassemble the ribbon on the printer.
- Ⓑ Remove the red cover at the bottom of fanfold ribbon.

3



Slowly pull out the ribbon tray, ensure refill ribbon is placed nicely on cassette.

4



Lift up the refill tray. Put back the cover and cassette is ready for re-use.