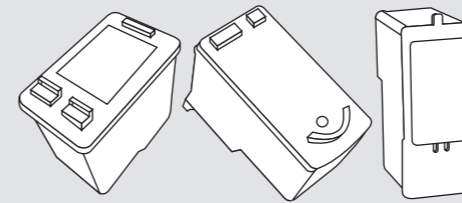


Operating Manual (Method I)

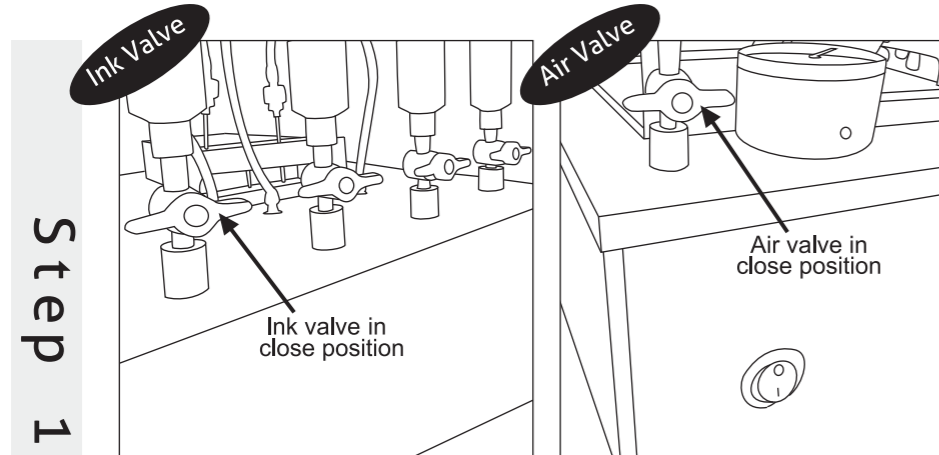
Universal Inkjet Vacuum Refilling System for HP, Canon and Lexmark (Black & Tri-colored Cartridge)

FuniVac®



Note:

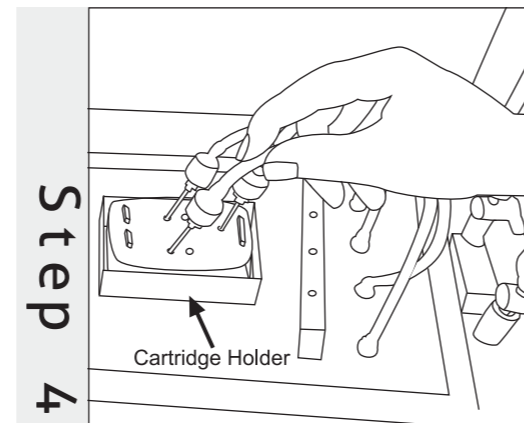
1. Check the weight of the empty cartridge. If the weight is more than the empty level, monitor closely during refilling process as there might be ink remained in the cartridge, and this might cause ink overflow and color mix if we refill with standard ink volume.
2. You may like to paste a transparent sticker on the refilling holes before refilling to prevent color mix if it overflows.



Step 1

Ensure all ink valves and air valve are closed.

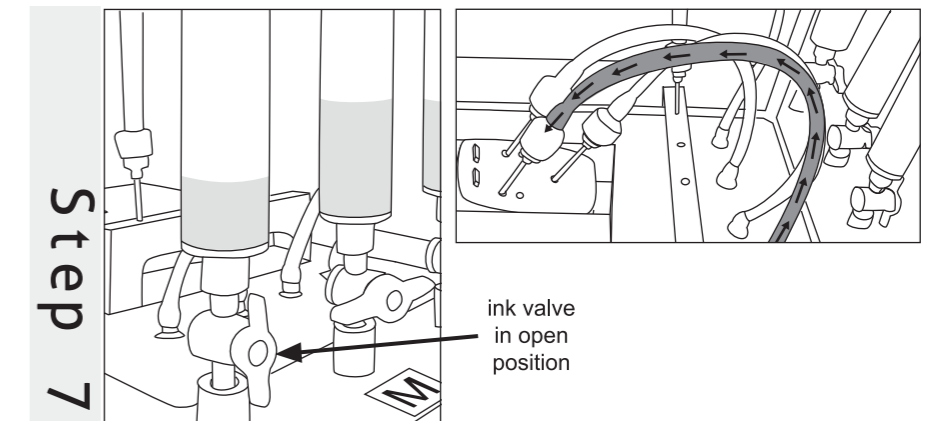
NOTE: For proper maintenance, please handle the valves with both hands.



Step 4

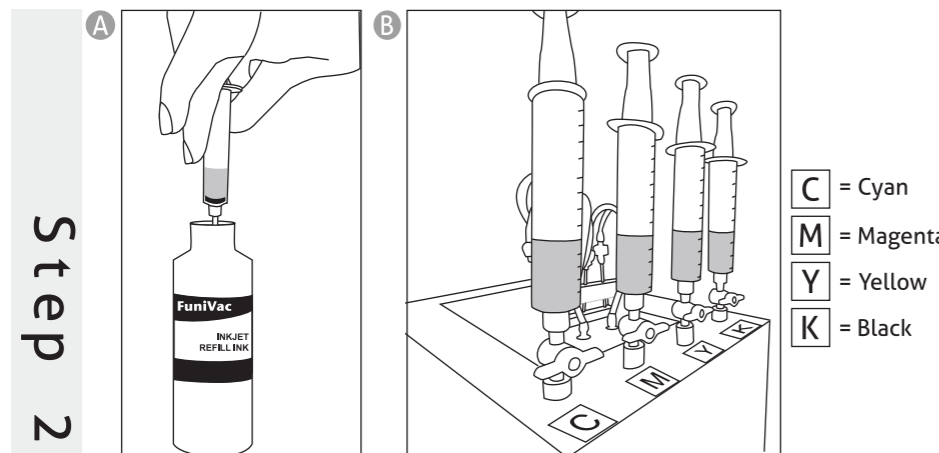
Place the cartridge and the cartridge holder on the machine platform. Insert the needle into refilling hole (refer to refilling hole chart at the back for the correct color of each hole).

Caution: It is very important to identify the color of refilling hole to avoid color mix.



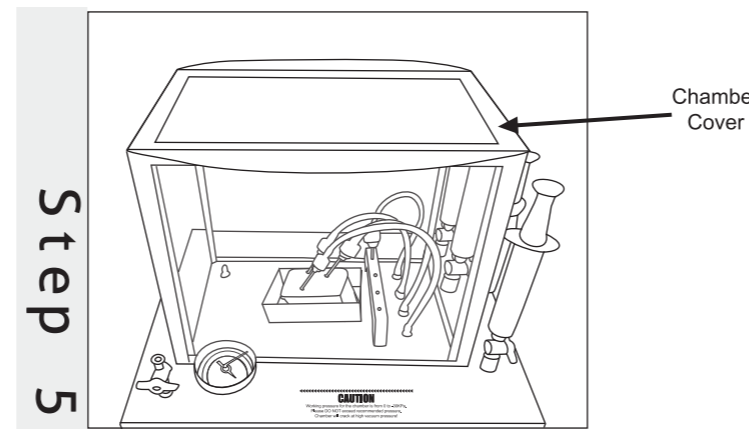
Step 7

- (a) Open the ink valve for ONE color each time, let the ink flow into the cartridge. (Refer to Ink Refilling Volume Chart for the exact amount of ink to refill).
- (b) Close the valve after each refill.
- (c) Repeat the same step for next color, till all colors are refilled.



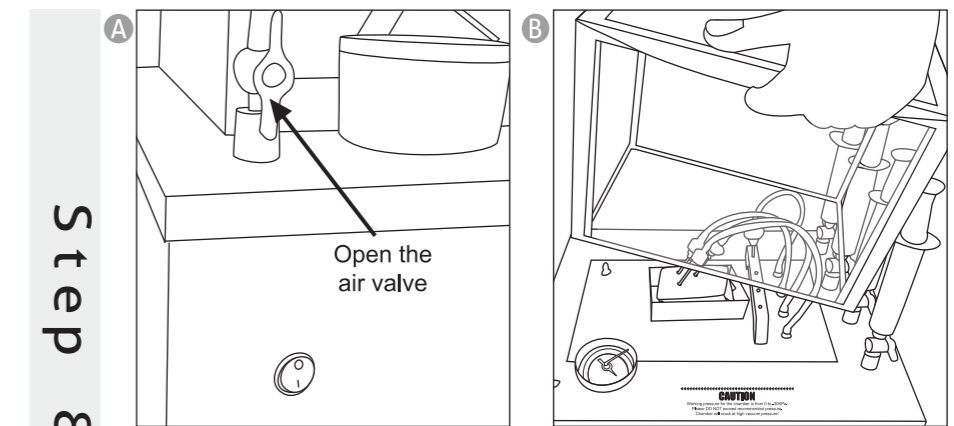
Step 2

Fill the syringe with instructed ink volume.



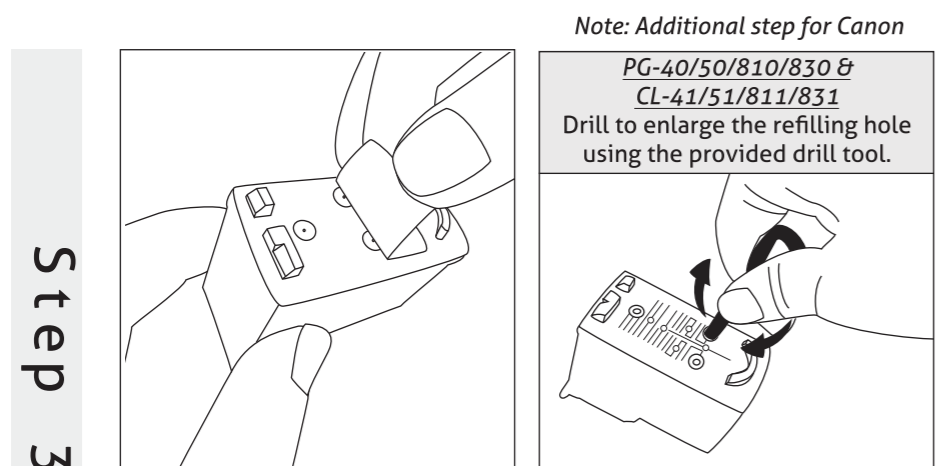
Step 5

Place the chamber cover on the machine.



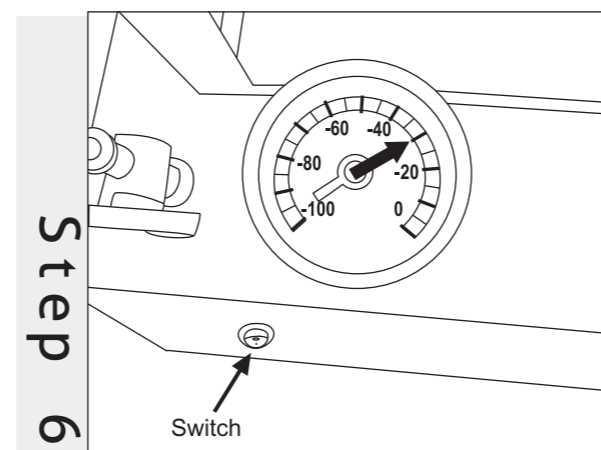
Step 8

After all colors are refilled, open the air valve slowly. Remove cover when pressure reaches zero.



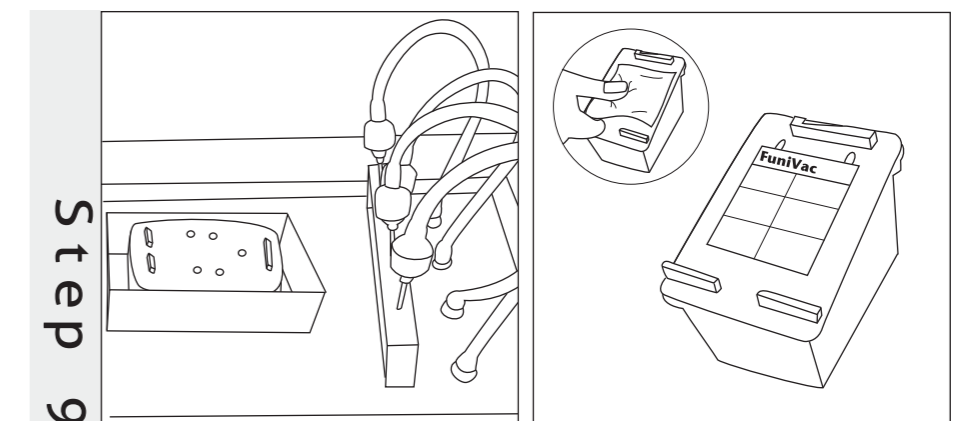
Step 3

Peel off original label on the cartridge.



Step 6

Switch on the button. When the vacuum pressure reaches red arrow line (-30kpa), switch off the button.



Step 9

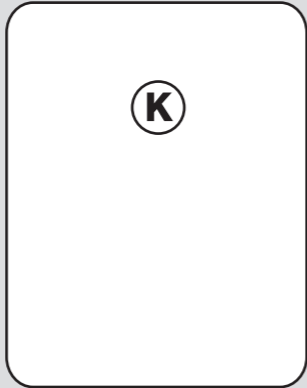
Remove the needles from cartridge and place them back to resting bay. Refilling is complete. Blot the cartridge, paste a FuniVac label on the cartridge. Cartridge is ready for use.

Cartridge Refilling Hole Chart

Caution: Ensure the correct refilling hole is identified before inserting needle to avoid color mix.

TIPS: Insert a clean tooth pick/needle into each ink chamber and pull it out, ink stain on the tooth pick/needle will show the color of the chamber. If there is no ink stain on the tooth pick/needle, the cartridge might be too dry and may not be in good condition for refilling.

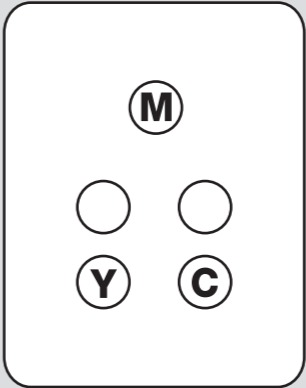
K = Black



CARTRIDGE MODEL

Hewlett Packard		Canon
HP 21	HP 901 / 901XL	Canon PG-40
HP 27	HP 94 / 131 / 338 / 852	Canon PG-50
HP 56	HP 96 / 130 / 339 / 853	Canon PG-810
HP 60 / 60XL	HP 98 / 129 / 337 / 851	Canon PG-830
HP 61 / 61XL		
HP 74 / 74XL		

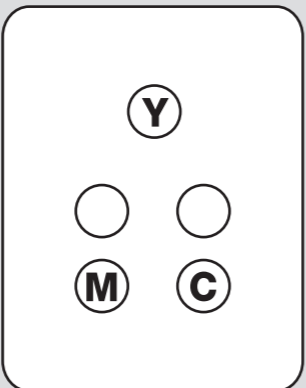
C = Cyan
M = Magenta
Y = Yellow



CARTRIDGE MODEL

Hewlett Packard	Lexmark
HP 22	LX-1
HP 28	LX-33
HP 57	LX-35

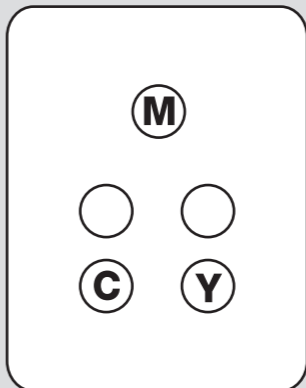
C = Cyan
M = Magenta
Y = Yellow



CARTRIDGE MODEL

Hewlett Packard	
HP 60 / 60XL	HP 93 / 136 / 342 / 854
HP 61 / 61XL	HP 95 / 135 / 343 / 855
HP 75 / 75XL	HP 97 / 134 / 344 / 857
HP 901 / 901XL	

C = Cyan
M = Magenta
Y = Yellow



CARTRIDGE MODEL

Canon
Canon CL-41
Canon CL-51
Canon CL-811
Canon CL-831